



## Cable Plug Form B Industrial standard

- Also available with LED indicator
- Protection class IP 65
- Contact form 11 mm

Plug for the connection of electrical components Form B Industrial standard.

Technical data	
<b>Body material</b>	Polyamide (without LED; black, with LED; transparent)
<b>Contact material</b>	Brass, galvanised silver-plated
<b>Flat seal</b>	NBR
<b>Temperature range</b>	-40 to +90 °C
<b>Cable diameter</b>	4,5 - 7 mm
<b>Cable outlet</b>	Straight
<b>Functional display</b>	LED, colour red
<b>Nominal voltage</b>	0 to 250 V
<b>Contact resistance</b>	≤ 4 mΩ
<b>Electrical connection</b>	Terminal screws max. 0,75 mm <sup>2</sup> with circuitry (max. 1,5 mm <sup>2</sup> without circuitry)
<b>Protection class</b>	IP 65
<b>Number of terminals</b>	2 pins + protective earth
<b>Cable glands</b>	PG9

## Ordering chart

The delivery of a cable plug includes the flat seal and the fixing screw (thick-film passivated).

### None (standard)

	Voltage	Current rating	Item no. with-out cable
	0 to 250 V/AC/DC	max. 6 A	423 845

### with LED

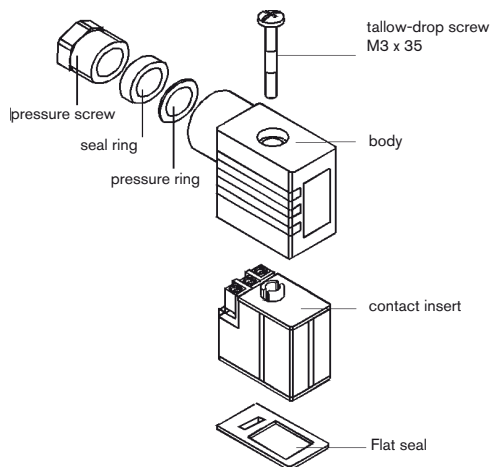
	Voltage	Current rating	Item no. without cable
	24 V/AC/DC	max. 6 A	423 849
	250 V/AC/DC	max. 6 A	423 850

### with LED and freewheeling diode

	Voltage	Current rating	Item no. with-out cable
	24 V/DC	max. 1,5 A	423 851

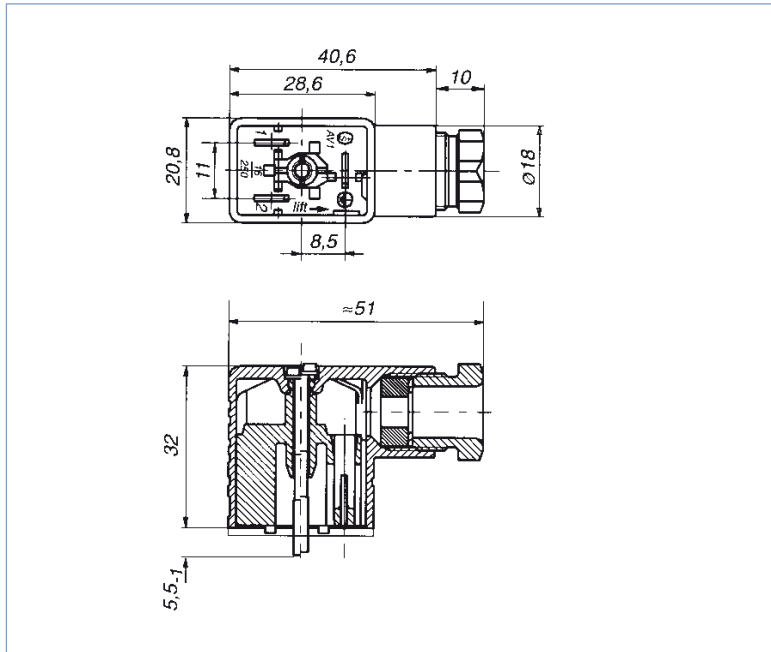
## Mounting instructions

The cable plug can be installed in a 180° rotation.



- remove contact insert
- insert cable through pressure screw
- wire cable according to connection plan
- snap in contact insert
- screw-on union nut
- push gasket on tag connectors
- push cable plug firmly onto tags
- secure with tallow-drop screw M3 x 30

## Dimensions [mm]



To find your nearest Bürkert facility, click on the orange box →

[www.burkert.com](http://www.burkert.com)